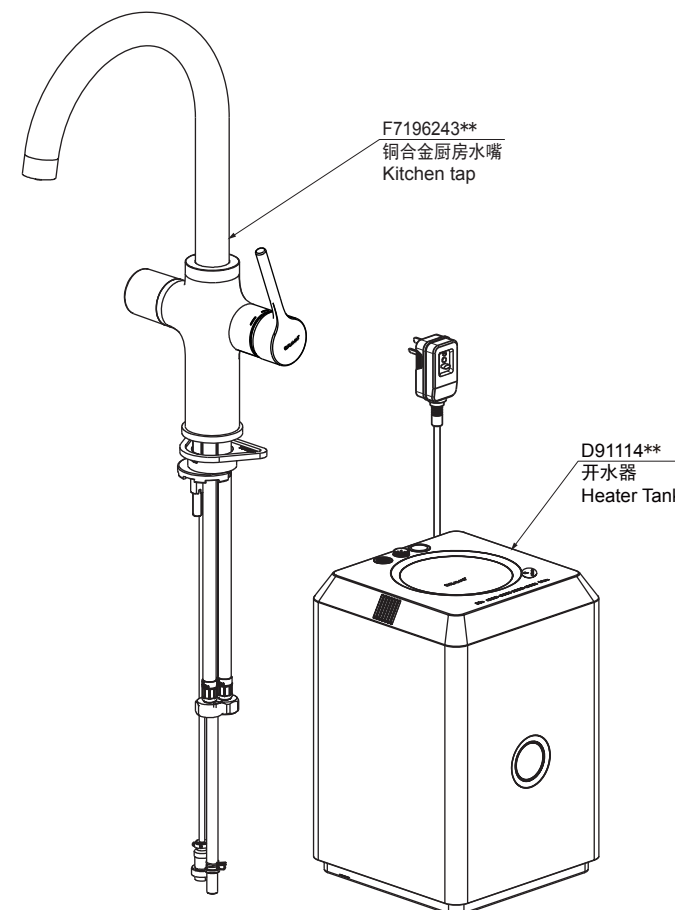


产品安装说明书

PRODUCT INSTALLATION INSTRUCTIONS

装箱清单  
PACKING LIST

项目 (Item)	数量 (Qty)
产品安装说明书 Product Installation Instructions	1
贝朗保修条款 Bravat Warranty Terms & Conditions	1
合格证 Certificate	1
铜合金厨房水嘴 Kitchen tap	1
开水器 Heater Tank	1
配件 (包) Accessories (set)	3
固定座 Fixed seat	1

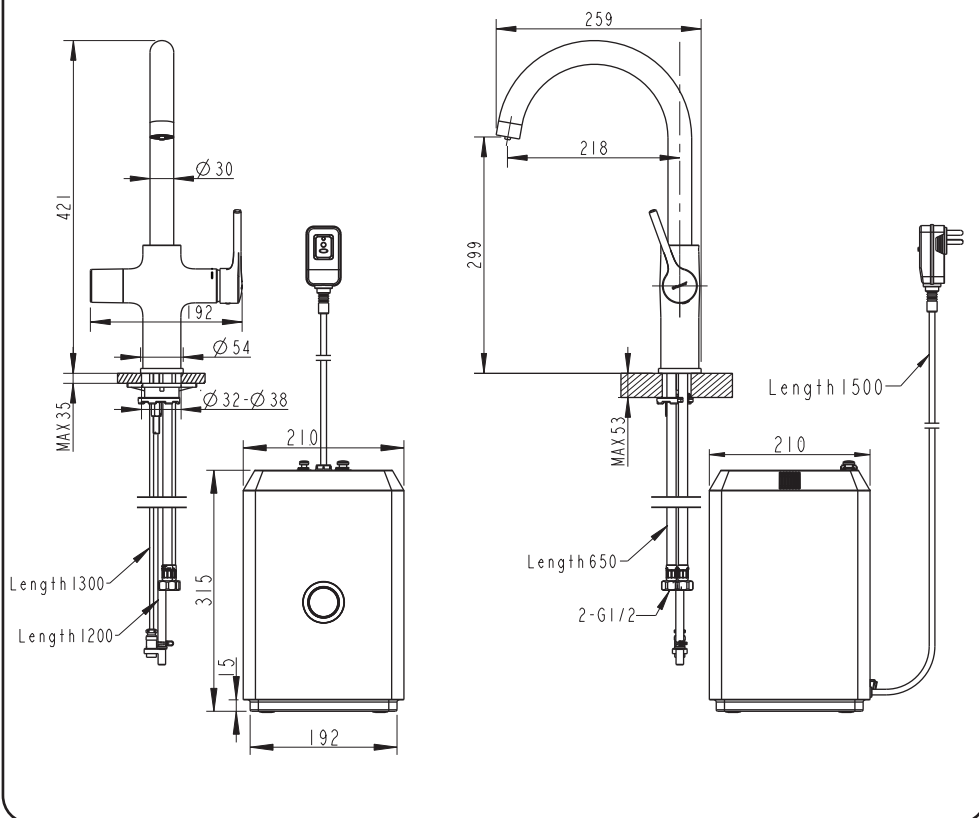


贝朗 (中国) 卫浴有限公司  
Bravat (China) GmbH

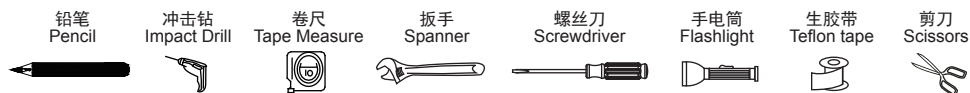
\*\*订购时请说明颜色编号  
\*\*Color Code must be specified when ordering  
CP 镀镍铬 Polished Nickel & Chrome  
RG 土豪金 Luxury gold  
SA 沙银 Sparkling silver

## A 安装尺寸图 INSTALLATION DIMENSION

单位:mm  
Unit:mm



## B 备用工具 HELPFUL TOOLS



### ⚠️ 安装前的注意事项

- 安装水嘴前, 请务必先清除预埋的冷、热水管内的杂质及污泥, 以免堵塞, 影响出水功能!
- 水嘴的工作水压: 0.05-0.5MPa!  
开水器的工作水压: 0.15-0.5MPa!
- 此安装说明书中的图片或文字描述, 若与实物不符, 请以实物为准!

### ⚠️ Points for attention before installation

- Before installing the new tap, it is essential that you thoroughly flush through the supply pipes in order to remove any remaining swarf, solder or other impurities. Failure to carry out this procedure could cause problems or damage to the workings of the tap.
- Water pressure for tap: 0.05-0.5MPa.  
Water pressure for heater tank: 0.15-0.5MPa.
- If the pictures and statements in the 'Installation Specifications' are unconfirmed with practicality, please take practicality as standard.

## H 维护与保养 MAINTENANCE

注意: 在更换或拆卸产品前, 先关闭电源, 断掉水源。然后打开水嘴, 释放水压, 并检查水路, 确保其彻底关闭。

为保持表面光洁明亮, 请经常或定期清洁产品, 请遵照下列程序进行清洁:

- 1、使用清水及软布, 尽量清除表面污垢及垢膜。
- 2、使用下列任何一种清洁剂去除表面污垢及垢膜。
  - 温和的液体清洁剂。
  - 无色的玻璃清洗剂, 不具研磨作用并能完全溶解的粉状清洁剂 (并按制造指示混合)。
  - 不含磨损作用的擦亮液。
  - 切勿使用具有研磨作用的清洁剂, 砂布或纸巾。
  - 切勿使用任何具有酸性作用的清洁剂、擦亮磨料、或粗糙的清洁剂或肥皂。
- 3、清洁完成后, 请立即用清水清除全部清洗剂, 并用软棉布抹干。
- 4、定期拆下水嘴气泡头, 并清洗、除去杂质, 以免影响出水。

### 特别申明 SPECIAL STATEMENT

本产品说明书是根据最新产品资料编写而成, 本公司遵循可持续发展策略, 对产品的规格、性能等进行持续的改进, 如有变更, 恕不另行通知。(本公司保留此项解释权)

CAUTION: Before replace or disassemble this product, the power should be shut off first, and then turn off water. Open tap handle to relieve water pressure and insure that complete water shut-off has been accomplished.

To keep the surface clean and bright, please clean the product regularly and abide by the following procedures:

1. Use rinsing water and soft cloth, clean bilge and bilge membrane on the surface to the best of the abilities.
2. Clean the residua with the following cleansers only.
  - Soft liquid cleanser.
  - Colorless glass cleanser, totally soluble powder cleanser without abrasive capability. (Mixed by instructions.)
  - No abrasive cleansers waxes
  - Never use cleanser, emery cloth or handkerchief which can rub.
  - Never use cleanser containing abrasive cleansers, ammonia, bleach, acids, waxes, alcohol, solvents or other products not recommended for chrome.
3. After cleaning, use rinsing water to flush out all cleanser immediately and drying with soft cotton cloth.
4. Carefully dismantle the aerator regularly, rinse under clean running water until any loose debris is cleared to avoid the influence to water outflow.

The products installation instruction is written in accordance with the latest product information, following the sustainable development strategy of the Company, to improve continually the product's specification, performance etc., subject to change without notice. (The Company reserved the right of final explanation)

## F 注意事项 ATTENTION

- 1、不要让供水管线或本机冻结，如果水温降到4℃时，为预防管路水的冻结损坏设备，请关闭设备的进水开关及开水器的电源开关，拔下电源插头，停止使用。
- 2、不得使用水质严重超标的原水，可能会使净水器及开水器发生堵塞失效。
- 3、虽然本产品设有防干烧断电保护装置，但为了延长产品的使用寿命，请尽量避免干烧，初次使用时务必要先让内胆灌满水：打开进水角阀，插上电源插头通电后，四个档位指示灯会按顺序亮一遍后自动停在第5档位置（4个指示灯长亮，不加热），长按水嘴上的感应把手，直到有水从水嘴流出来这止（需长按约3分钟）。

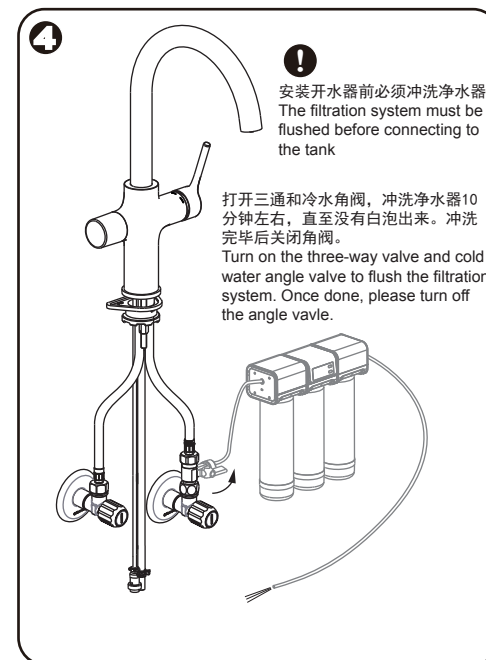
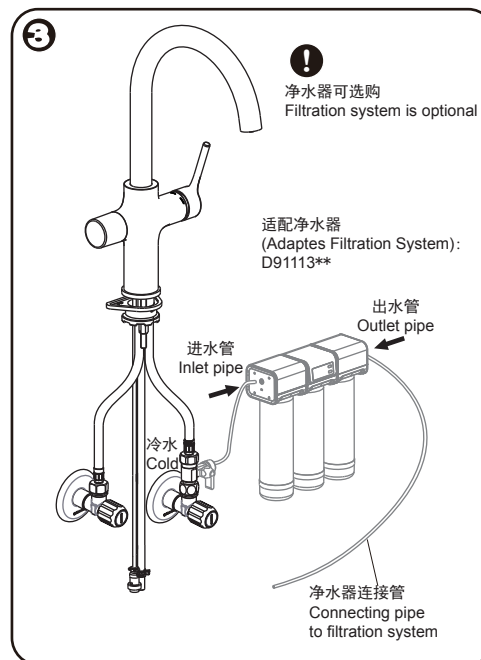
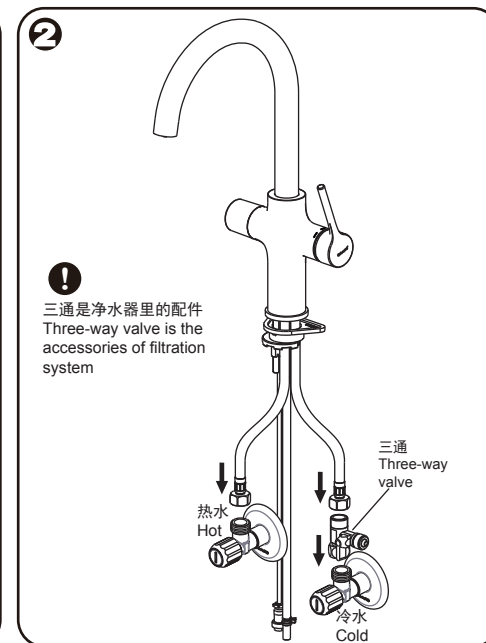
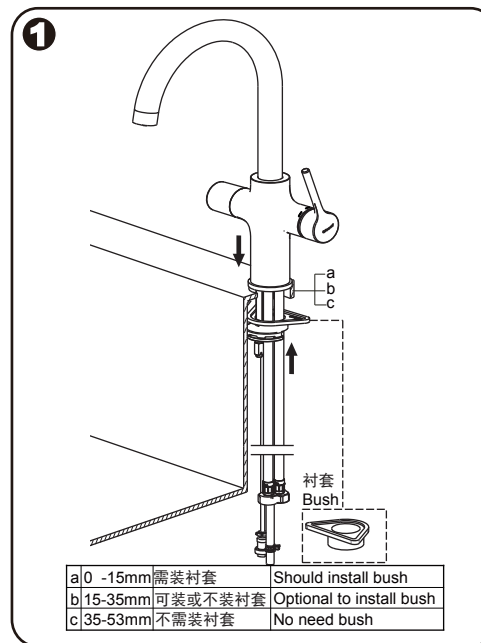
## G 特别警示 SPECIAL STATEMENT

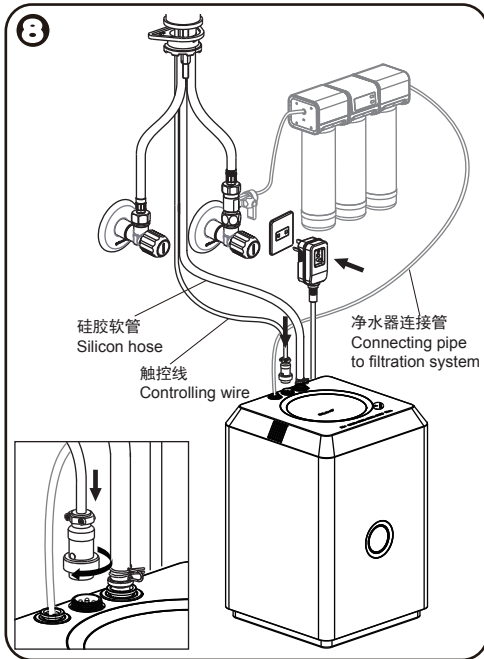
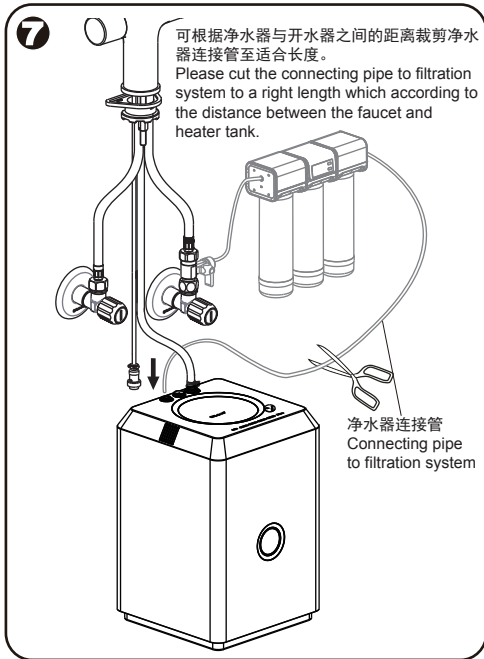
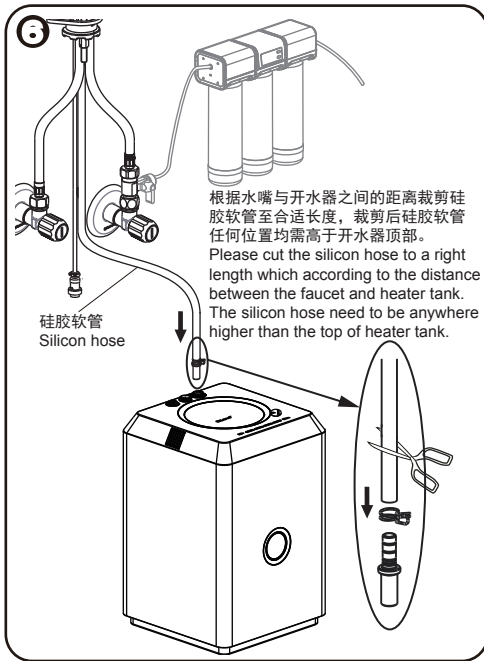
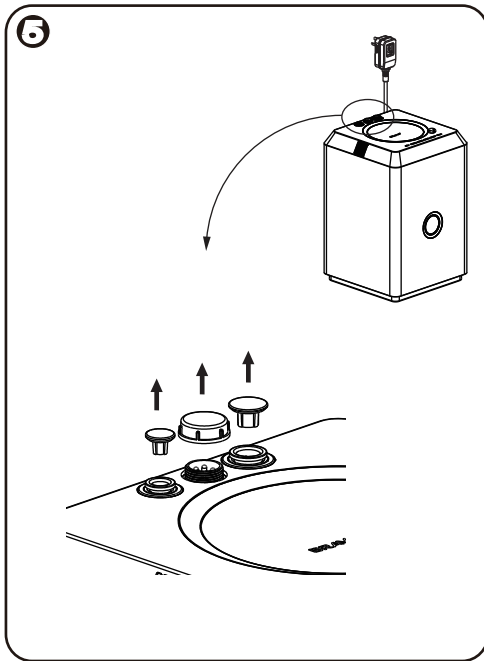
- 1、为了保证本开水器的安全及正常使用，我公司在此郑重告知用户：产品必须由我公司授权的安装、维护服务商进行安装、维修，否则对因为安装、维修而导致事故，我公司恕不承担任何责任（服务热线：8008205330）。
- 2、在对本开水器进行任何操作前，请仔细阅读和理解使用说明书。
- 3、第一次使用之前或长时间(15天以上)没有使用后，开水器需注满水后烧开，然后打开水嘴排掉，重复冲洗至少2次，冲洗过程中请勿取水饮用。
- 4、为保证出水水质，安装开水器前需配置净水器，并及时更换滤芯，进水水质符合GB5749的市政自来水。
- 5、适用进水压力：0.15-0.5MPa，若水压超出此范围，需加装增压泵或减压阀。
- 6、定期检查开水器及水管配件是否漏水，避免漏水给家中财物造成损失。
- 7、严禁将本开水器安装在可能受到冰冻、振动、阳光直射和雨淋的地方。
- 8、此产品不得侵入水中清洗或喷淋清洗。
- 9、不得擅自修理该产品，而应咨询授权的专业人员。
- 10、此产品不适于身体、感官或智力有残疾或者缺乏使用此类设备的经验或知识的人员使用（包括儿童）。务必看管好儿童，不要让他们玩弄此设备。
- 11、为保证使用安全，用户的电源插座须有良好的接地装置，电源线插头是专用插头，不得更改，如有损坏，必须由专业人员维修。
- 12、使用产品附带的新软管，旧软管组件不能重复利用。

1. Avoid to freeze the water supply pipe or the tank. If the water temperature drop to 4 °C, in order to prevent the freezing of water pipeline may damage to the tank, please shut off the water supply and power of the heater tank and stop using.
2. Avoid to use serious contaminate raw water, which may block up or invalid the filtration system and heater tank.
3. Although the product has anti-dry power protection devices, in order to extend the lifetime of the product, please try to avoid boiling dry. Please fill the inner tank with water in the initial use, open the inlet angle valve, turn on power, the four gear indicator lights will brighten up in order automatically and stop at the fifth gear (four lights keep lighting) finally, after that press continuously the touch handle until the water dispense from the tap to finalize the process. (Long Press about 3 mins).

1. To ensure the safety of the heater tank and normal use, BRAVAT hereon formally inform the user: the product must be installed or maintenance by the company's authorized installation and maintenance services providers. Otherwise, the accident which caused by installation or maintenance, BRAVAT will not take any responsibility. (service hotline: 8008205330).
2. Before any operation of the heater tank, please read and understand the instruction.
3. Before the initial use or no use for a long time, you need to fill the heater tank and boil the water, then turn on the tap to drain and washed it two times at least. Don't drink the water during the washing process.
4. To ensure the water quality, the filtration system must be installed before the heater tank. The filters need to be replaced regularly to meet the standard of GB5749 municipal tap water.
5. Recommended inlet water pressure: 0.15~0.5MPa. If the water pressure exclude this range, it need to be installed a booster pump or pressure reducing valve.
6. Regularly check if the heater tank and accessories existing water leakage to avoid the water leakage affect the loss of their possessions.
7. It is forbidden to install this heater tank in a place that may be frozen, vibrating, directly sun lighted or rained.
8. The product can not be put into the water for cleaning or spray cleaning.
9. Don't repair the product by yourself, but should consult a certified professional.
10. This product is not fit for physical, sensory or intellectual disabilities or lack of experience or knowledge of people to use (including children). Please take good care of children, don't let them play with this product.
11. In order to ensure the safe use, the user's power outlet should have good grounding device. Please note the power plug is special and not allowed to change. If there is any damage of the power plug, please contact the professional for repair.
12. Please use the new hose from the accessories. Any old accessories can not be used in this product.

## C 产品安装步骤 INSTALLATION STEP





## E 常见安装疑难及故障解答 SPECIAL STATEMENT

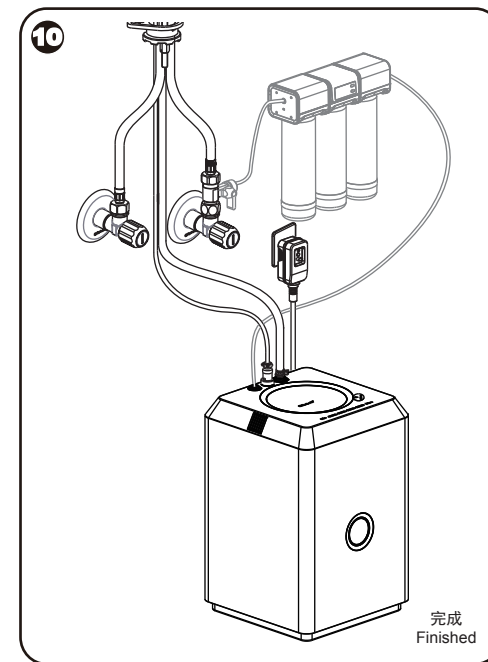
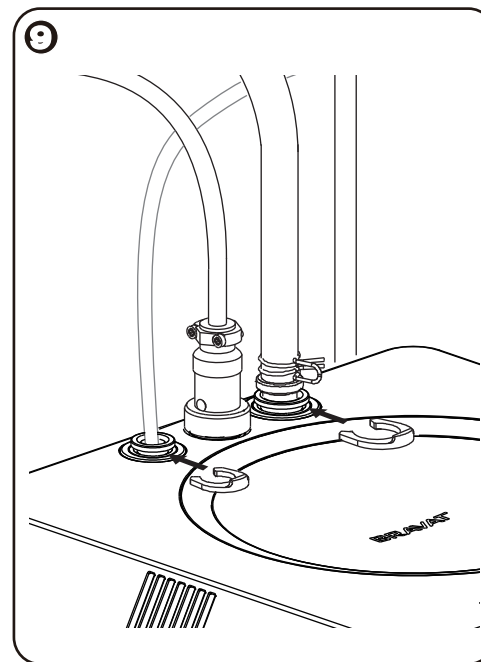
序号	故障现象	排除对策	易发时段	备注
1	开水器不通电 (电源指示灯不亮)	检查交流供电是否正常	初次安装使用	
		电源插头是否插好	初次安装使用	
		检查漏电保护插头是否跳开	初次安装使用	
		开水器电源开关是否打开	初次安装使用	
2	开水器换挡触控没反应	触控线没插上	初次安装使用	
		触控线碰到装饰环	初次安装使用	
		软管碰到装饰环	初次安装使用	
3	水嘴触控开关没反应	装饰环周边有水	漏水或做表面清洁后没擦干	
		触控线没插上	初次安装使用	
4	没热水	没触碰到触控有效区域	初次安装使用	
		开水器内胆没注水发热管处于防干烧保护状态	初次安装使用	
		初次使用要长按龙头触控键直到龙头出水为止	初次安装使用	
5	水嘴滴水	开水器处于第五档	初次安装使用	
		硅胶软管过长	初次安装使用	
6	出水不干净有泡沫	进水压力太低	初次安装使用	
		过滤器没清洗就接开水器使用	初次安装使用	
7	出热水温度不够热	过滤器更换滤芯没清洗就接开水器使用	一段时间后	
		开水器档位没设在高温档	初次安装使用	
8	一直加热不会自动停止	海拔太高需把加热档位调低一档	初次安装使用	

Item	Malfunction	Elimination of malfunction	Encounter	Remark
1	Heater tank no electricity (Electricity indicator light is off)	Check the AC power supply is work or not	Initial installation	
		Check the power plug is plugged in or not	Initial installation	
		Check the Leakage Protective Plug is tripped or not	Initial installation	
		Check the power switch of heater tank is on or off	Initial installation	
2	Switch control of heater tank is not work	Check the controlling wire is plugged in or not	Initial installation	
		Check if the controlling wire is touching the ring	Initial installation	
		Check if silicon hose is touching the ring	Initial installation	Water leakage or not wipe dry after cleaning the surface
3	Touch control handle is not work	Check if any water is surrounding the ring	Initial installation	
		Check if the controlling wire is plugged in or not	Initial installation	
4	No hot water	Did not touch the touch area effectively	Initial installation	
		Heater tank have no water and the heating tube is in anti-dry protection status.	Initial installation	
5	Tap dripping	In the initial use, please press continuously the touch handle until the water dispense from the tap.	Initial installation	
		The tank is in fifth gear.	Initial installation	
6	The dispensing water is not clean and with foam	The silicon hose is too long and need to be shortened	Initial installation	
		Inlet water pressure is too low	Initial installation	
7	The dispensing water temperature is not hot enough.	The filtration system haven't flush and connect with the heater tank	Initial installation	
		Replace the filter element without flushing and connect with the heater tank	Use for a while	
8	The tank keep heating the water and not stop automatically	Heater tank is not setted in the top temperature gear.	Initial installation	
		At the high altitude area, the tank need to be setted in third gear	Initial installation	



## 技术参数 Technical Specifications

过滤水触控操作	Touch control for filtered water
过滤水出水管道无存水	No water remain in the outlet hose of filtered water
适用进水压力: 0.15-0.5MPa	Recommended inlet water pressure : 0.15~0.5MPa
适用进水水温: 4°C~38°C	Recommended inlet water temperature : 4°C~38°C
内胆最高水温按不同海拔手动调节设置最高可达98°C	water temperature could be adjusted according to different altitude, maximum 98°C
设计水温波动范围0/-5°C	Water temperature fluctuation range : 0/-5°C
加热功率1830W, 制热水能力18L/H	Heating power: 1830W, Heating capacity: 18L/H
内胆容量3L	Tank capacity : 3L
LED电源提醒	LED power indicator
国内220v/240v 50Hz 漏电保护插头	220v/240v 50Hz, with Leakage Protective Plug
2年保修	Warranty Description : 2 years
尺寸 W210 X D210 X H315mm	Dimensions : W210 X D210 X H315mm
独特吸水器装置: 开水器自带独特吸水器装置, 能吸空管道残留水, 保证每次开启即刻享用所需纯净热水或纯净冷水	The unique absorbing device: jet-flow structure which can absorb all remaining water within the outlet hose, so that to ensure to dispense filtered hot or cold water only.
高级别卫生性能: 开水器内胆采用304L高档不锈钢材质	High-level performance of health: the boiling tank make by 304L stainless steel.
高级别安全性能: 开水器采用非承压结构设计, 加热更安全, 而且防干烧	High-level safety performance: non-pressurized design, boil dry protection.
安装便利: 开水器进、出水口位置设计在顶部, 且为快速接头连接	Easy installation: The inlet and outlet is located on the top of the tank for ease accessing.



# D 产品的使用方法

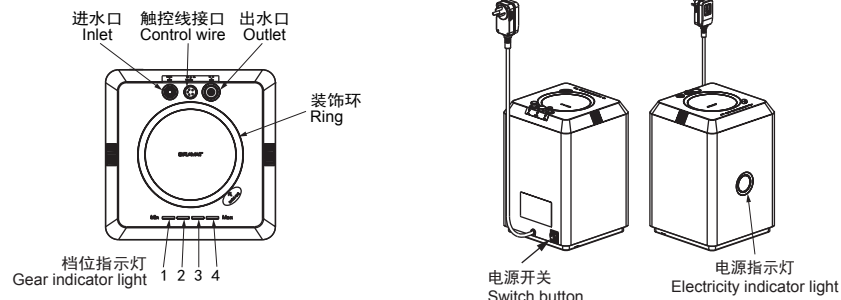
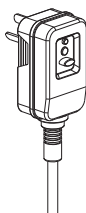
## PRODUCT OPERATION

### 一、漏电保护插头使用说明：

- 初次使用时在接通电源后应触动试验按钮，如能断开电源，说明漏电保护插头性能良好，再按下复位按钮，正常使用；
- 若漏电流大于额定值，则自动脱扣断电实施保护，漏电故障排除后可按复位按钮，继续使用。

### Instruction of Leakage Protective Plug

- In the initial use, the test button should be press when connecting to the power, if the power is disconnected, indicating a good performance, and press the reset button to return normal use;
- When the leakage current of the appliance higher than the rated value, the power will be interrupted, and press the reset button to return normal use after troubleshooting.



### 二、触控切换档位功能说明：

- 触控有效区域及触控方式：整个装饰环都有效，触碰一下后手离开；
- 档位说明（共有5个档位）：

档位温度设定	1档 (81°C-86°C)	2档 (85°C-90°C)	3档 (89°C-94°C)	4档 (93°C-98°C)	5档 (空档不加热)
档位指示灯	1	2	3	4	4个档位指示灯全亮

- 档位指示灯说明：通电后4个档位指示灯按顺序亮一遍（每个亮1秒熄灭），最后停在第5档（4个档位指示灯全亮）；
- 档位设定方法：触碰一下档位切换一档，循环方式选择档位。通电后默认停在第5档，碰一下切换到第1档，再碰一下切换到第2档，再碰一下切换到第3档，再碰一下切换到第4档，再碰一下切换到第5档，再碰一下循环回到第1档；
- 加热功能说明：通电默认停在第5档（档位灯全亮但不加热），需切换到其它档位才开始加热，所在档位开始加热时所在档位指示灯会闪烁（每秒闪一下），温度到达所在温度范围后所在档位指示灯恒亮；
- 特别说明：第5档适用于第一次安装后需往开水器内胆注满水的过程和只需冷水（无需加热）。

### Instruction of the touch switch:

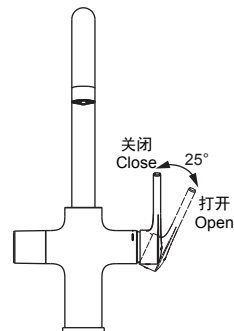
- Effective touch area & touch method: the whole ring is effective; touch it and let go.
- Gear instruction (total of 5 gears).

Gear temperature setting	1 Gear (81°C-86°C)	2 Gear (85°C-90°C)	3 Gear (89°C-94°C)	4 Gear (93°C-98°C)	5 Gear (No heating)
Gear indicator light	1	2	3	4	Four gear indicator lights are on

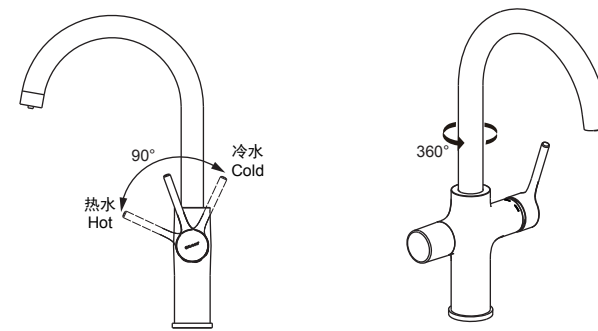
- Instruction of gear indicator light: after electrify four gear indicator lights will light in sequence (each light one second off), then stop in fifth gear (four gear indicator lights are on)
- Gear setting method: touch to switch one gear, cycling mode selection. After electrify, it default stop in fifth gear, touch to switch to first gear, then touch again to switch to second gear, and again switch to third gear, fourth gear, fifth gear then back to first gear;
- Instruction of heating function: after electrify, it default stop in fifth gear (four gear indicator lights are on but not heating). It need to be switched to other gears to start heating. The gear indicator light will flash when it start heating (one second flash once). When the water reach the rated temperature, the gear indicator light will keep bright.
- Special statement: the function of fifth gear is suitable for users in the initial use to fill the inner tank with water, or for those only need filtered cold water.

- 为避免纯净冷水与纯净热水的少许混水，交叉放取纯净冷热水时，请中间停顿8秒以上时间间隔。  
In order to avoid mixing the cold and hot water, please pause 8 seconds time interval to dispense water.

普通水出水：  
Tap water:



出水嘴360°旋转  
Rotation of spout 360°



直饮水出水：  
Drinking water:



出冷过滤水：

碰一下感应把手，显示蓝色，出冷过滤水，再碰一下关冷过滤水；在出冷过滤水状态下，不触碰感应把手，冷过滤水会在120秒后自动关闭。

出开水：

按住感应把手3秒后，显示红色，出开水，手离开开水。

注意

初次使用时要先让内胆灌满水：  
先接好管路及连接好后打开进水角阀，插上电源插头通电后，四个档位指示灯会按顺序亮一遍后自动停在第5档位置（4个指示灯长亮，不加热），然后长按水嘴上的感应把手，直到有水从水嘴流出来为止（需长按约3分钟）。

Filtered cold water:

Touch the interaction button once to dispense filtered cold water while the panel display with blue light, touch again to stop releasing afterward. In the condition of dispensing filtered cold water without touching the interaction button, the tap will be close automatically after 120 seconds.

Boiling water:

Press the interaction button for three seconds to dispense boiling water while the panel display with red light, and close boiling water by leave pressing.

Notice

Please fill the inner tank with water in the initial use: Connect the hoses and then open the inlet angle valve, turn on power, the four gear indicator lights will brighten up in order automatically and stop at the fifth gear (four lights keep lighting) finally, after that press continuously the touch handle until the water dispense from the tap to finalize the process. (Long Press about 3 mins).